



Complete with internal driver

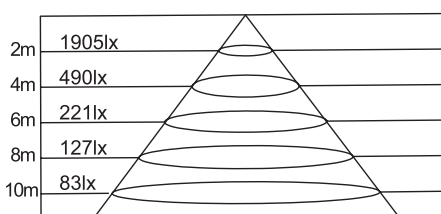
- ★ Die cast aluminum heat sink with powder coated finish for corrosion resistance
- ★ High quality pressed aluminum reflector with powder coated finish
- ★ World's first Nano painting on reflector to decrease glares and make light more comfortable
- ★ Professional photometric design with Fresnel lens
- ★ With 10Kv surge protection and input power filter
- ★ Samsung LED chip efficiency reaching 170 lm/W
- ★ Meanwell driver with 100-277V AC input voltage
- ★ 100,000 hours lifespan with 5 years warranty

Applications

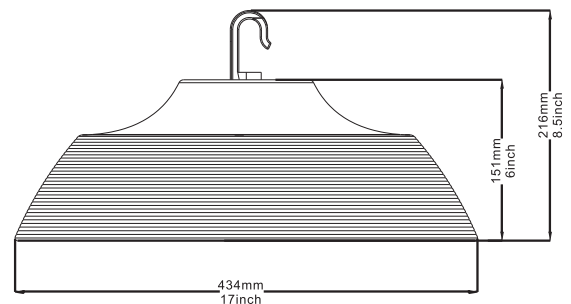
Stadium, Workshop, Warehouse, Airport, Railway Station, Supermarket, etc.

Specifications

Model	Lamp	Voltage	Color Temperature	Ambient Temperature	Luminous FLux	IP Class	Package size	Net Weight	UL	Price
	[W]	[V]	[K]	[°C]	[Lm]		[mm]	[Kg]		
100-1SMD	100	100-277v	5000	-30-+50	14000	Ip65	450x450x210	4	✓	
120-1SMD	120	100-277v	5000	-30-+50	16800	Ip65	450x450x210	4	✓	
150-1SMD	150	100-277v	5000	-30-+50	21000	Ip65	450x450x210	4.5	✓	
180-1SMD	180	100-277v	5000	-30-+50	25200	Ip65	500x500x260	8	✓	
200-1SMD	200	100-277v	5000	-30-+50	28000	Ip65	500x500x260	6	✓	



Single lamp LUX (150W)



This document is not contractual and the equipment specification may be modified at any time without prior notice.